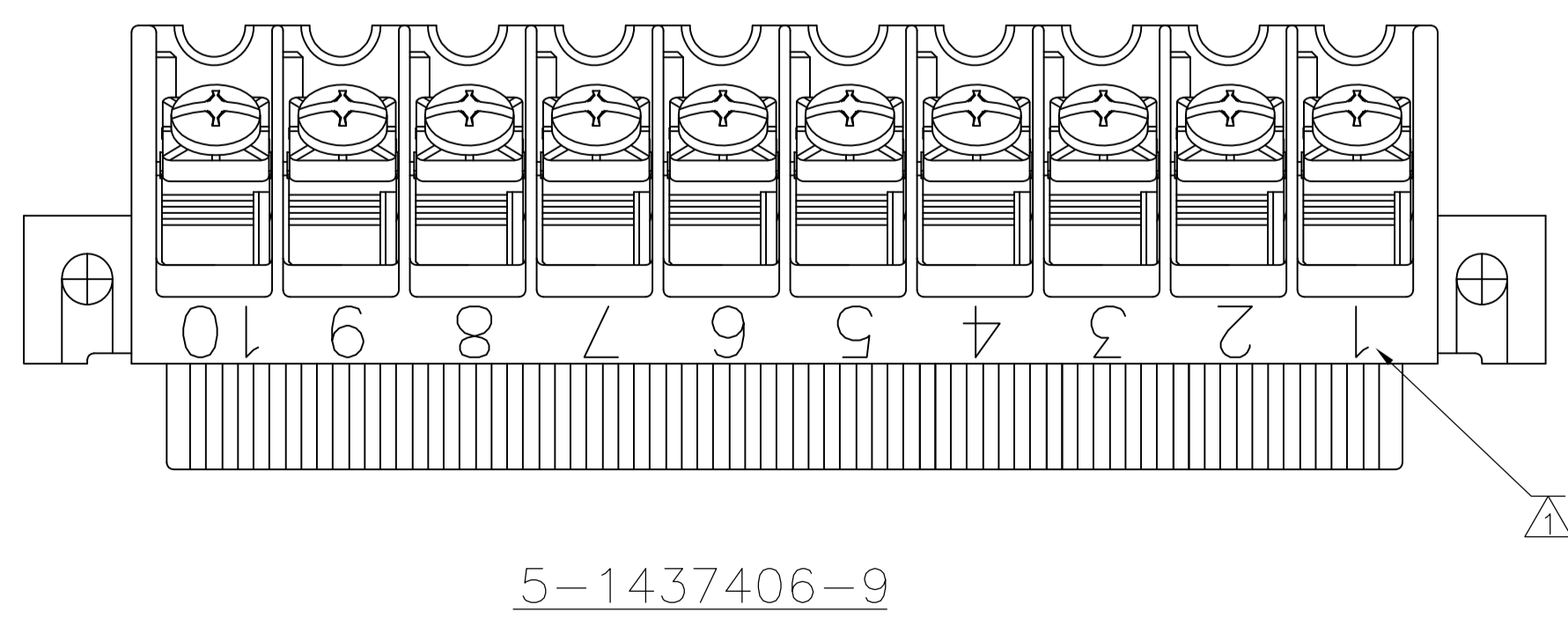
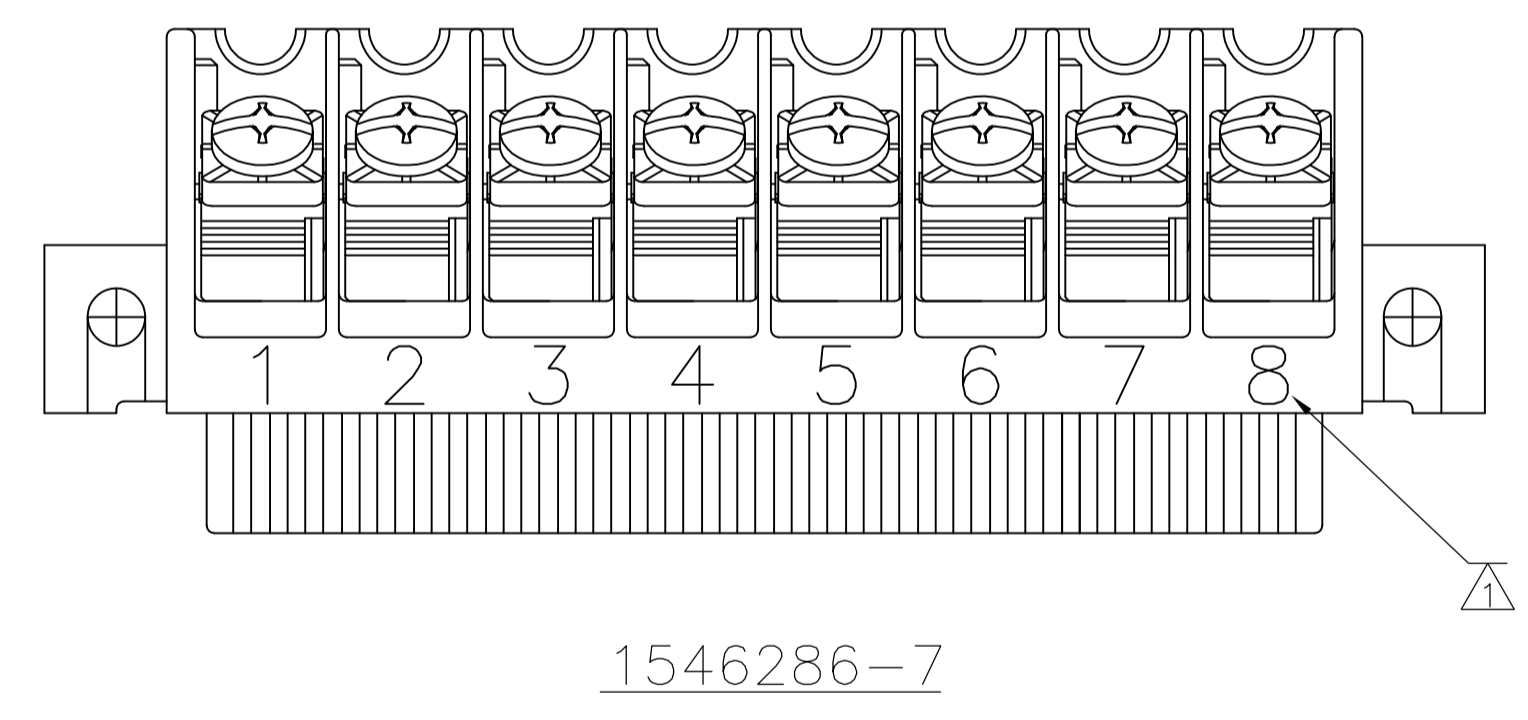
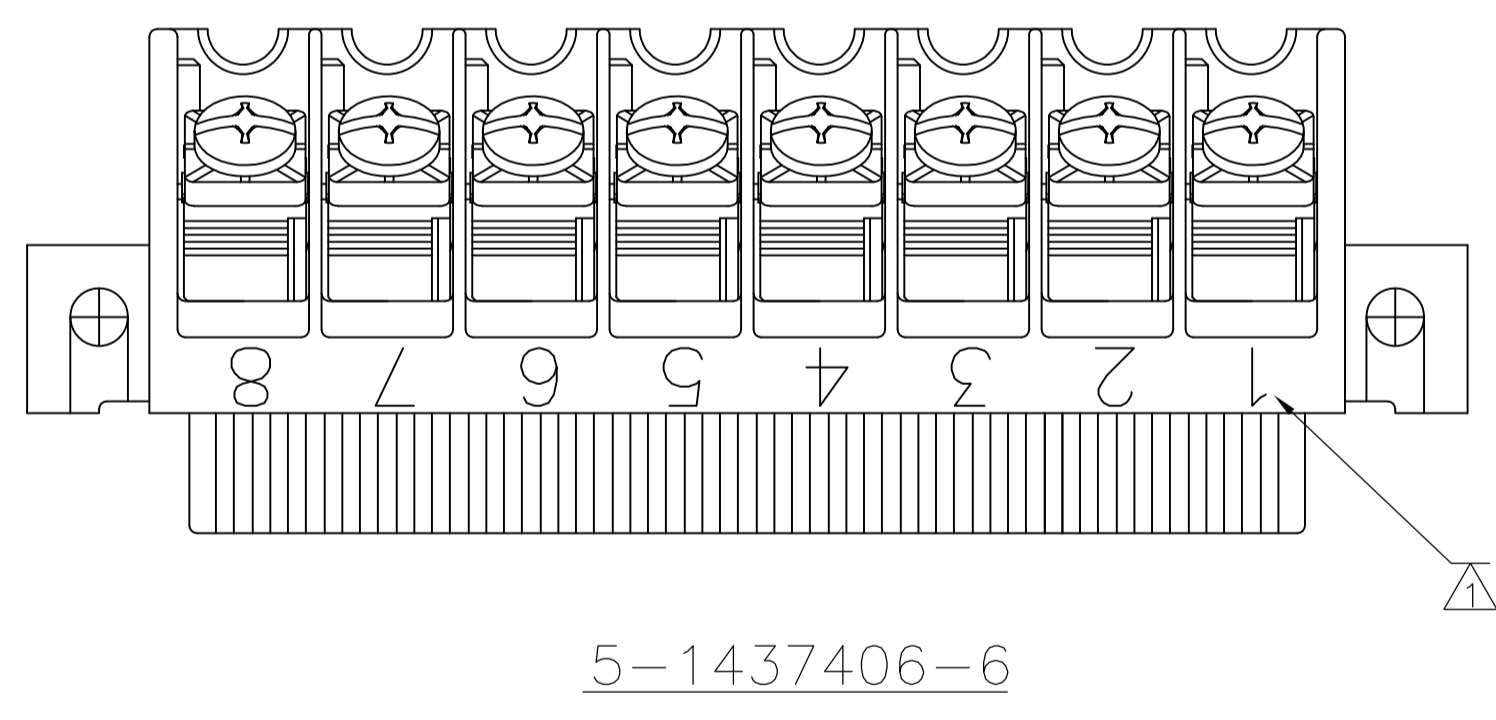
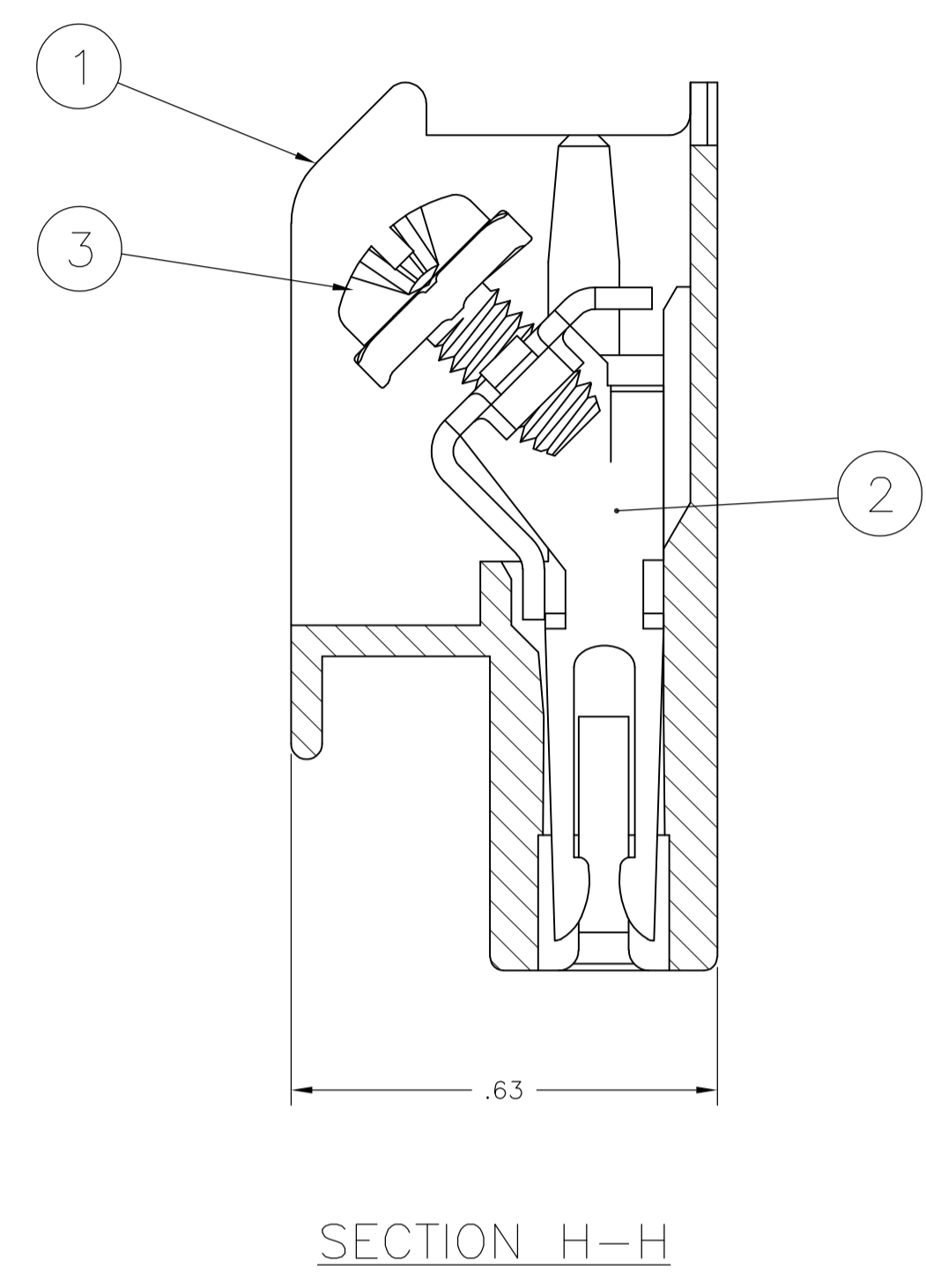
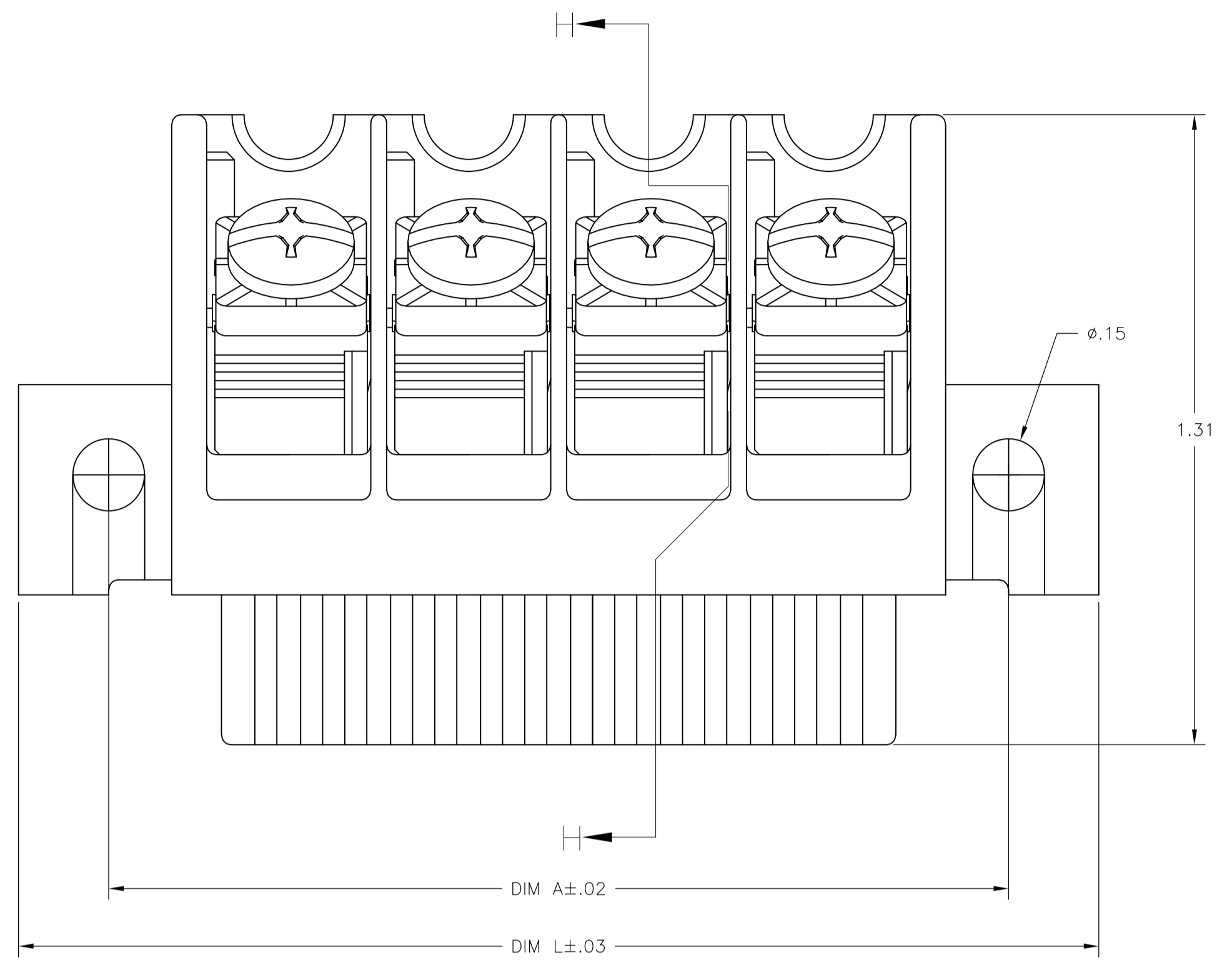


LOC		DIST		REVISIONS			
F	LTR	DESCRIPTION	DATE	DN	APVD		
B2		REVISED PER ECO-08-001729	1/22/08	SS	SRY		

WHITE LETTERING APPROX .14 HIGH.



REVISION	DATE	DESCRIPTION	BY	CHKD	APVD
OBSELETE	10.501	PSB4KC26A	7-1437406-3		
	9.751	PSB4KD24A	1546286-5		
	9.751	PSB4KC24S	7-1437406-2		
	9.751	PSB4KC24A	7-1437406-1		
	9.001	PSB4KC22S	1546286-4		
	9.001	PSB4KC22A	7-1437406-0		
	8.251	PSB4KC20S	6-1437406-9		
	8.251	PSB4KC20A	6-1437406-8		
	7.501	PSB4KC18S	6-1437406-7		
	7.501	PSB4KC18A	6-1437406-6		
	6.751	PSB4KD16A	1546286-6		
	6.751	PSB4KC16S	6-1437406-5		
	6.751	PSB4KC16A	6-1437406-4		
	6.001	PSB4KC14S	6-1437406-3		
	6.001	PSB4KC14A	6-1437406-2		
	5.251	PSB4KC12S	6-1437406-1		
	5.251	PSB4KC12A	6-1437406-0		
	4.501	PSB4KD10A	7-1437406-4		
SPL MARKING	4.501	PSB4KC10SNN25	5-1437406-9		
	4.501	PSB4KC10S	5-1437406-8		
	4.501	PSB4KC10A	1546286-1		
SPL MARKING	3.751	PSB4KC08SNN21	1546286-7		
	3.751	PSB4KC08S	5-1437406-7		
SPL MARKING	3.751	PSB4KC08ANN25	5-1437406-6		
	3.751	PSB4KC08A	5-1437406-5		
	3.001	PSB4KC06S	5-1437406-4		
	3.001	PSB4KC06A	5-1437406-3		

THIS DRAWING IS A CONTROLLED DOCUMENT.

DIMENSIONS: INCHES	TOLERANCES UNLESS OTHERWISE SPECIFIED:	0 PLC ± -	1 PLC ± -	2 PLC ± .01	3 PLC ± .005	4 PLC ± -	ANGLES ± 1°
MATERIAL	FINISH	SIZE	CAGE CODE	DRAWING NO.	RESTRICTED TO	WEIGHT	
		A1	00779	5-1437406-3			

CUSTOMER DRAWING SCALE 4:1 SHEET 1 OF 1 REV B2